

PART NO.	
----------	--

Wall-Wart transformer
18-24VDC 100ma



18-24vdc



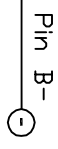
18vdc



24vdc



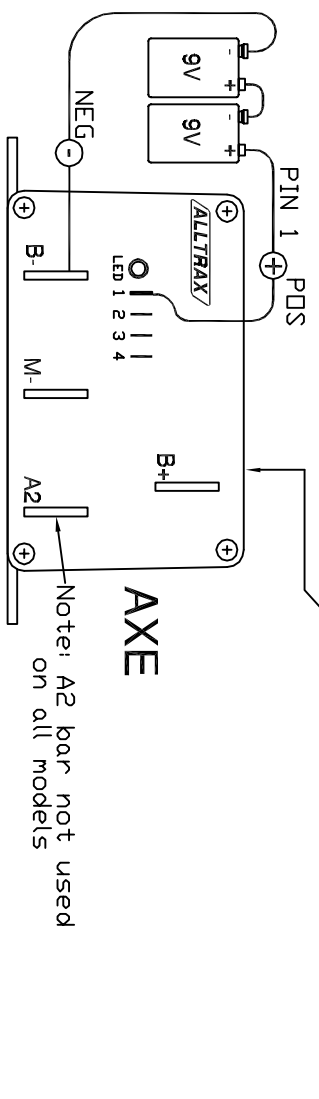
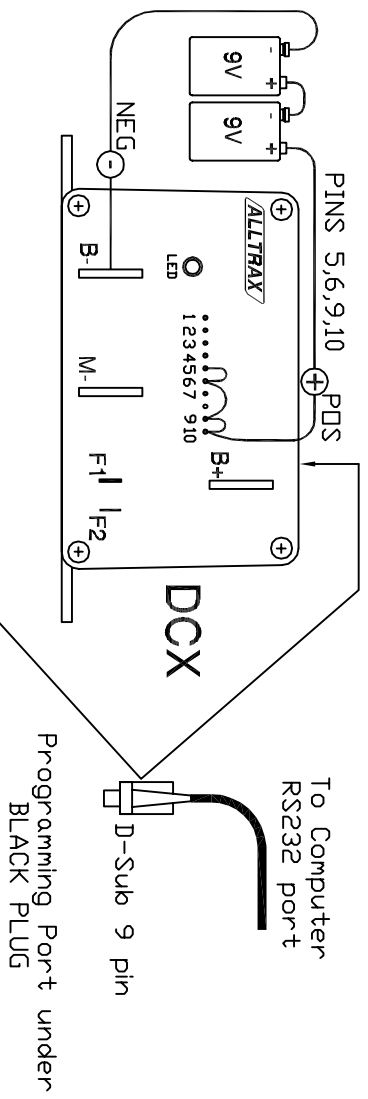
24vdc



- PROCEDURE:
1. Connect two 9 volt batteries in series (observe the polarity of the batteries)
 2. Connect the PC Computer cable
 3. Start Controller Pro program
 4. Program the unit and disconnect the assembly

> When in doubt - CALL Alltrax Customer Service! <

CAUTION: Observe polarity when connecting DC Source



DO NOT EXCEED
CONTROLLER VOLTAGE RATING

>This diagram assumes the controller is programmed out of the vehicle
>See Controller Pro operators manual for more information
>FAILURE TO OBSERVE POLARITY WILL DAMAGE THE CONTROLLER AND VOID THE WARRANTY

REVISIONS			DWG SCALE: NTS	
REV.	ECO.	DATE	APVD	DRAWN
A	102406	102406	TT	ENGR D.Crockett

102406	T.Thorne	102406	PROPRIETARY
102406	D.Crockett	102406	THIS TECH TO ALLTRAX INC. IS UNLAWFULLY REPRODUCED, RELIED ON, OR DISCLOSED IN WHOLE OR PART WITHOUT WRITTEN PERMISSION OF ALLTRAX INC.

TITLE		1111 Geney Creek Rd., Grants Pass, OR 97527	
Controller Programming Interface		PHONE:(+1) 478-5869	
Bench programming connections		PHONE:(+1) 478-5869	
SIZE	DOCUMENT NO.	REV.	
A	S Doc100-033	A	

DO NOT SCALE DRAWING